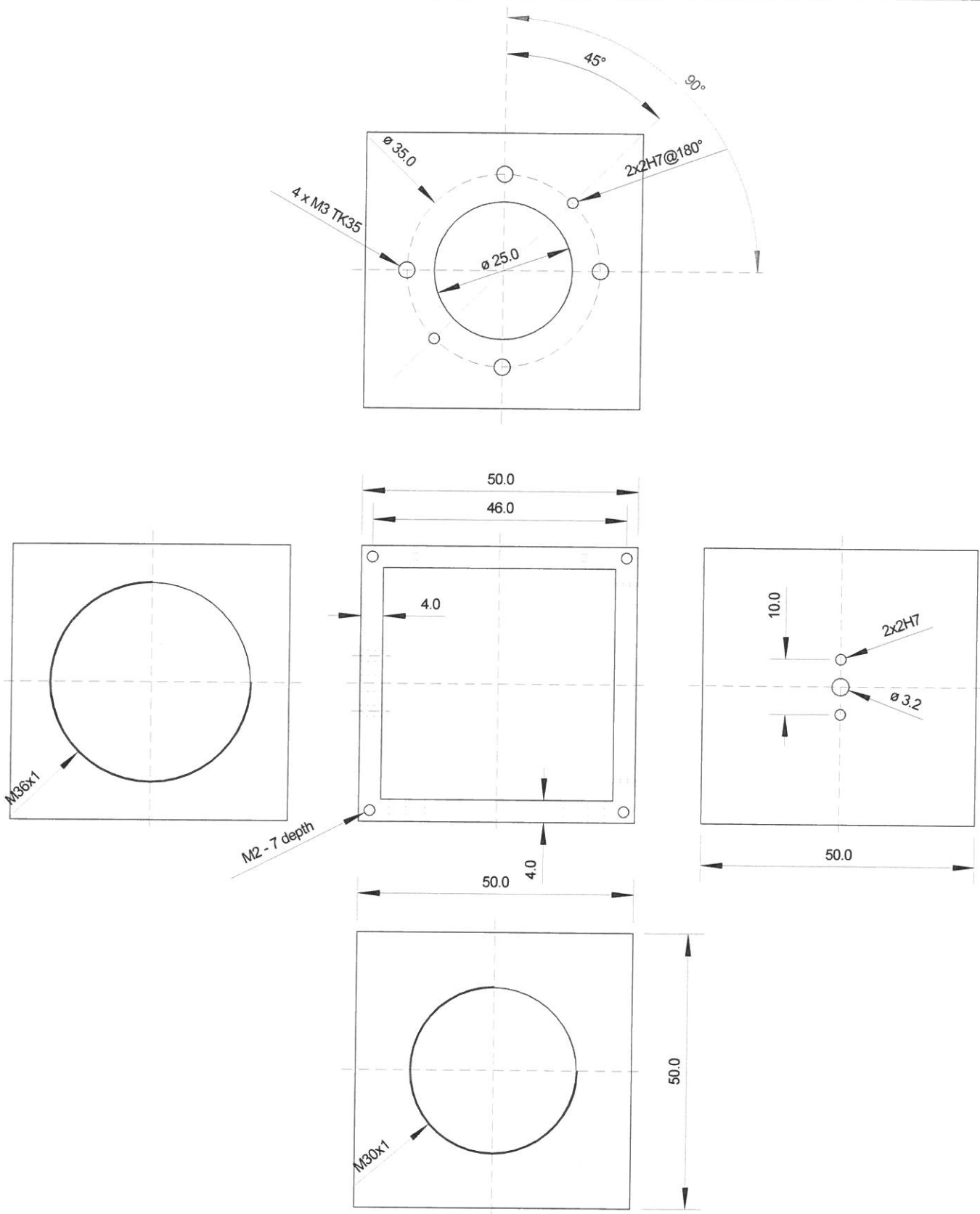


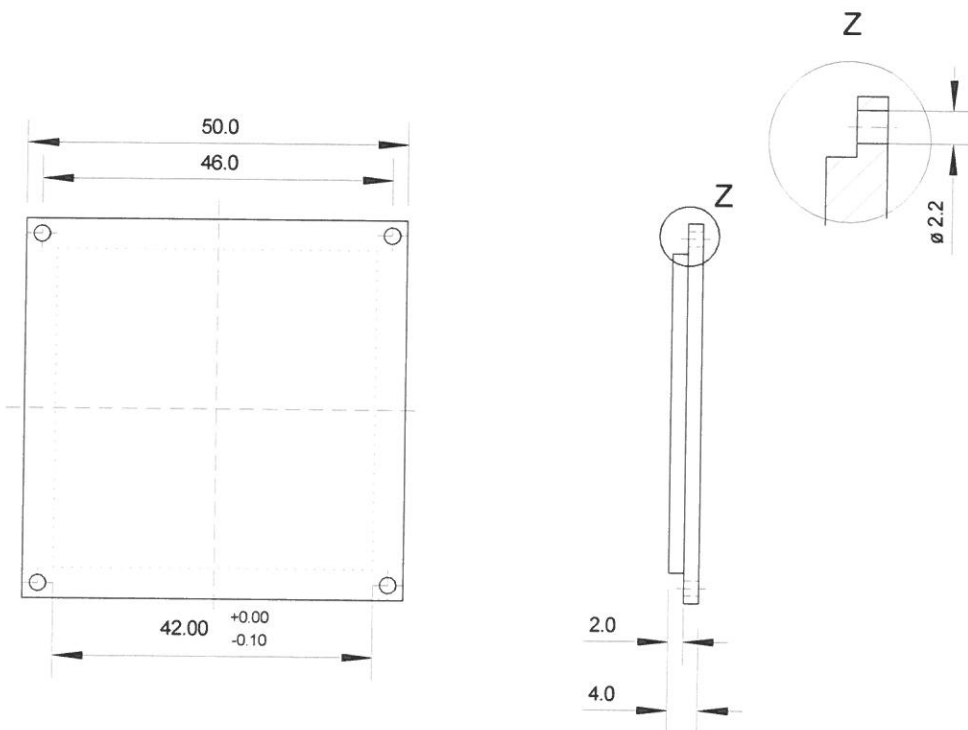
CAOS - Club of Amateurs in Optical Spectroscopy.

Material		Pieces <b>1</b>	Naming <b>Head Assembling</b>	
Surface treatment			Drawing number <b>Be-0000</b>	Sheets <b>1/1</b>
Date <b>05.05.2003</b>	Drawn <b>CG</b>	Scale <b>1:1</b>	Directory <b>BESOS</b>	File name <b>HeadAssembling.SKF</b>



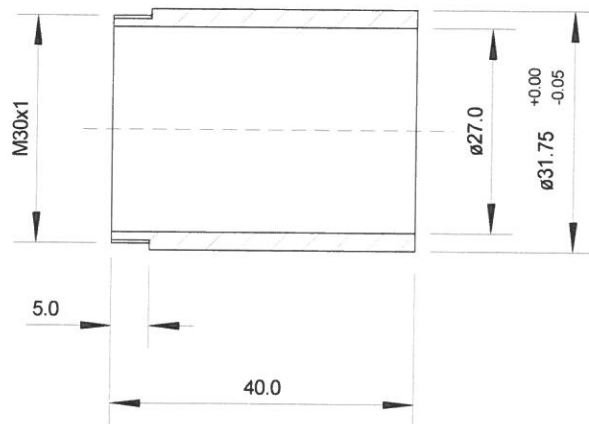
CAOS - Club of Amateurs in Optical Spectroscopy.

Material <b>aluminium</b>		Pieces <b>1</b>	Naming <b>Head Body</b>	
Surface treatment <b>black anodized</b>			Drawing number <b>Le-He-0001</b>	Sheets <b>1/4</b>
Date <b>18.10.2002</b>	Drawn <b>CG</b>	Scale <b>1:1</b>	Directory <b>Leches</b>	File name <b>HeadBody.SKF</b>



CAOS - Club of Amateurs in Optical Spectroscopy.

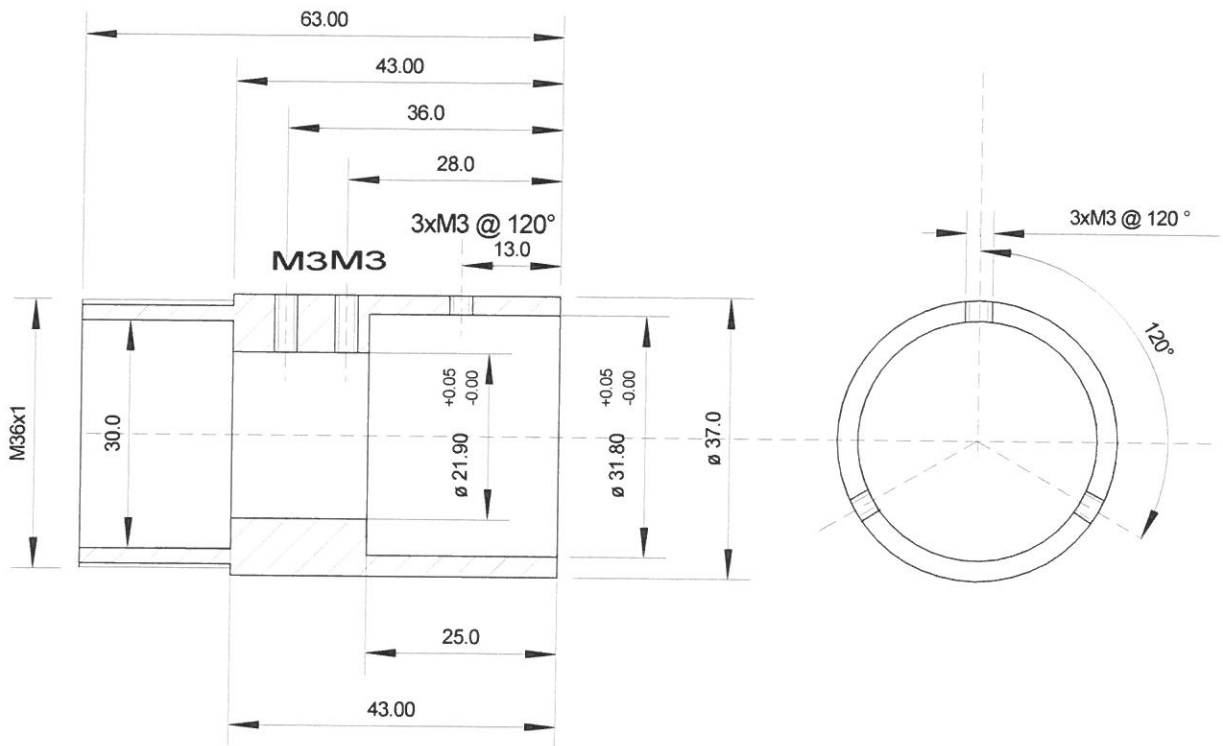
Material <b>aluminium</b>		Pieces <b>2</b>	Naming <b>Side Caps</b>	
Surface treatment <b>black anodized</b>			Drawing number <b>Le-He-0002</b>	Sheets <b>2/4</b>
Date <b>18.10.2002</b>	Drawn <b>CG</b>	Scale <b>1:1</b>	Directory <b>Leches</b>	File name <b>SideCaps.SKF</b>



CAOS - Club of Amateurs in Optical Spectroscopy.

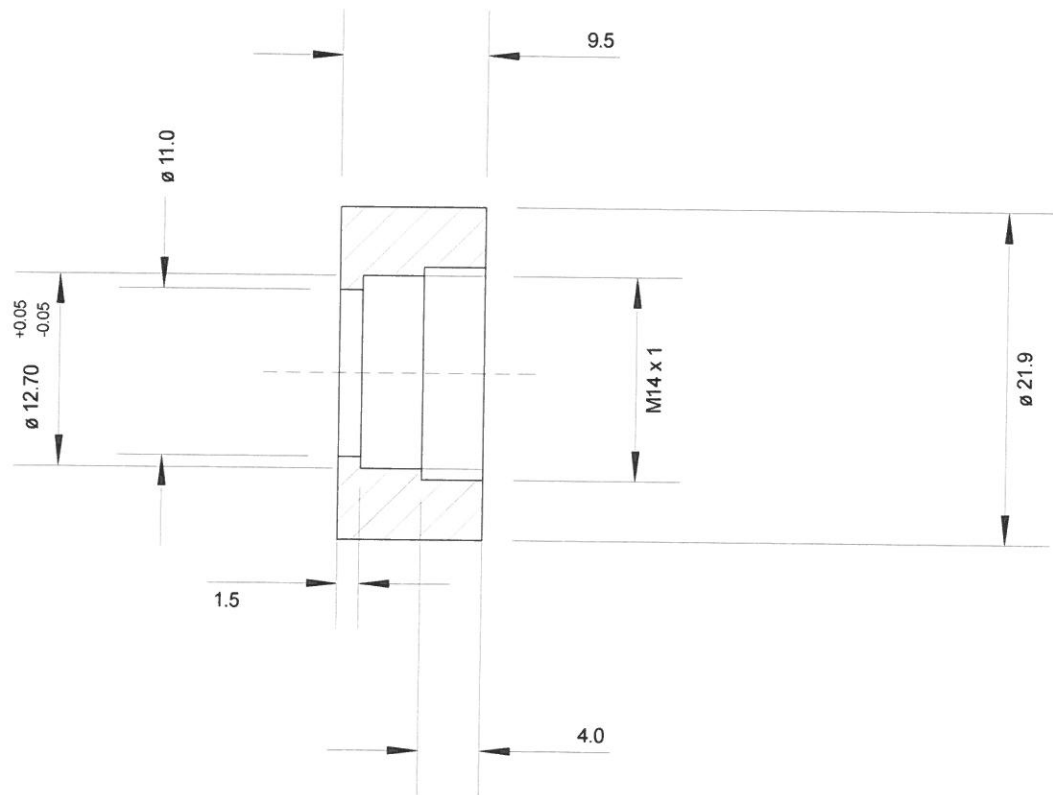
Material <b>aluminium</b>		Pieces <b>1</b>	Naming <b>Telescope Interface</b>	
Surface treatment <b>black anodized</b>			Drawing number <b>Le-He-0003</b>	Sheets <b>3/4</b>
Date <b>18.10.2002</b>	Drawn <b>CG</b>	Scale <b>1:1</b>	Directory <b>Leches</b>	File name <b>TelescopeInterface.SKF</b>





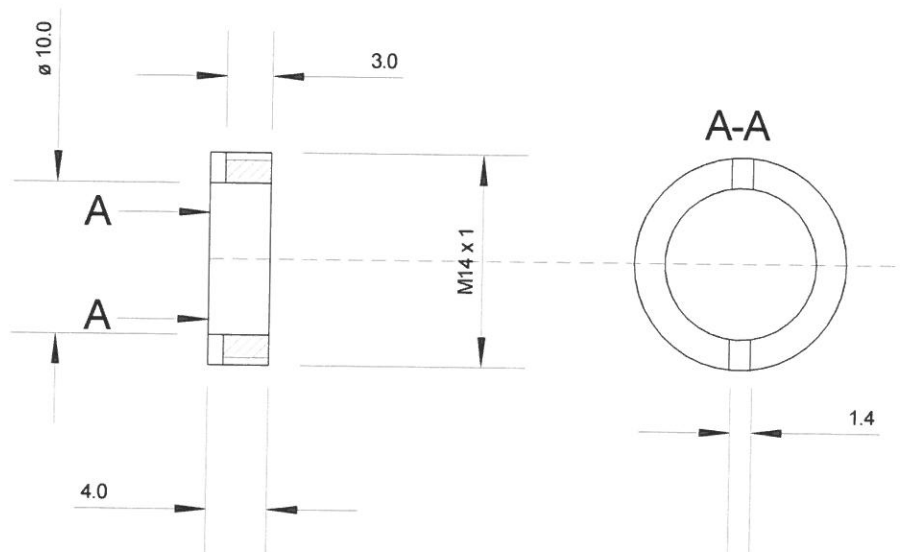
CAOS - Club of Amateurs in Optical Spectroscopy.

Material <b>aluminium</b>		Naming <b>ST4 Tube</b>	
Surface treatment <b>black anodized</b>		Drawing number <b>Le-ST4-0001</b>	
		Sheets <b>1/4</b>	
Date <b>26.09.02</b>	Drawn <b>CG</b>	Scale <b>1:1</b>	Directory <b>Leches</b>
		File name <b>ST4Tube.SKF</b>	



CAOS - Club of Amateurs in Optical Spectroscopy.

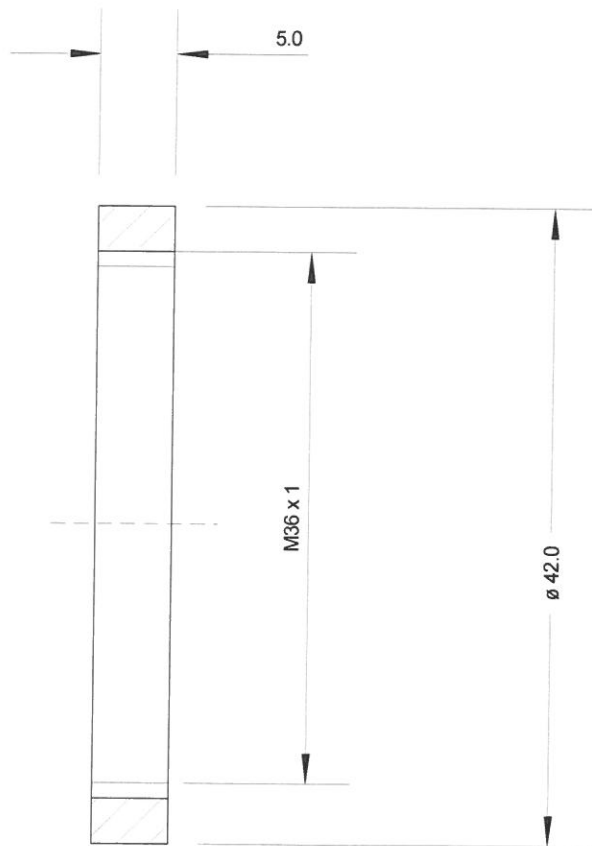
Material <b>aluminium</b>		Pieces <b>1</b>	Naming <b>ST4 Lense Holder</b>	
Surface treatment <b>black anodized</b>			Drawing number <b>Le-ST4-0002</b>	Sheets <b>2/4</b>
Date <b>18.04.2002</b>		Drawn <b>CG</b>	Scale <b>2:1</b>	Directory <b>Leches</b>
Doublet lense. f:19mm $\phi$ :12.7mm Model: LAC843-A from ThorLabs			File name <b>ST4LenseHolder.SKF</b>	



CAOS - Club of Amateurs in Optical Spectroscopy.

Material <b>aluminium</b>	Pieces <b>1</b>	Naming <b>ST4 Lense Ring</b>	
Surface treatment <b>black anodized</b>		Drawing number <b>Le-ST4-0003</b>	Sheets <b>3/4</b>
Doublet lense. f:19mm ø:12.7mm Model: LAC843-A from ThorLabs		Directory <b>Leches</b>	File name <b>ST4LenseRing.SKF</b>
Date <b>18.04.2002</b>	Drawn <b>CG</b>	Scale <b>2:1</b>	

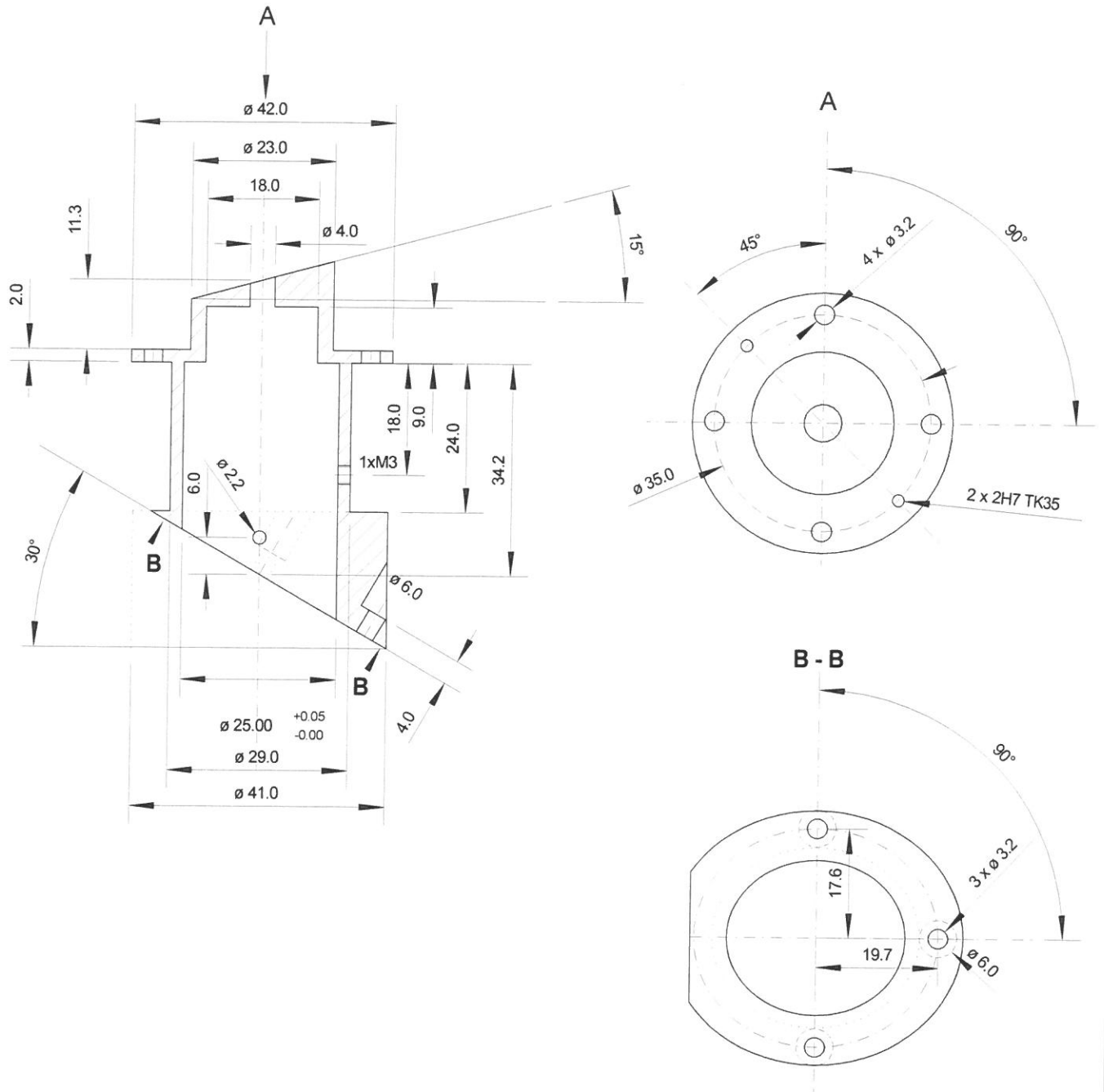




Kurled

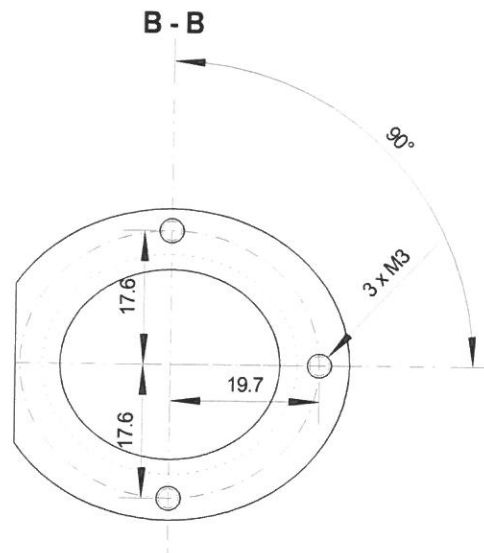
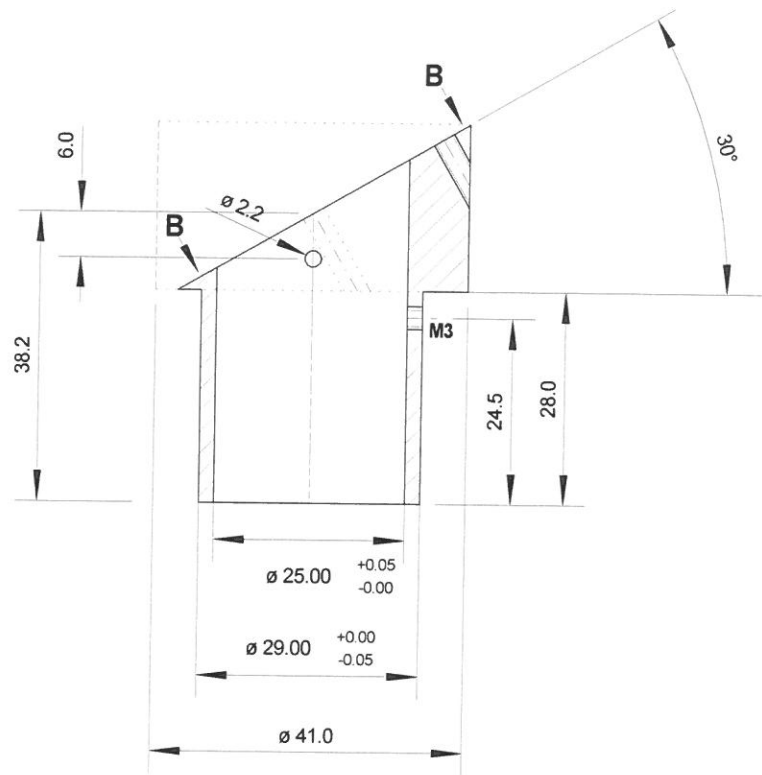
CAOS - Club of Amateurs in Optical Spectroscopy.

Material <b>aluminium</b>		Pieces <b>1</b>	Naming <b>ST4 Tube Ring</b>	
Surface treatment <b>black anodized</b>			Drawing number <b>Le-ST4-0004</b>	Sheets <b>4/4</b>
Date <b>18.04.2002</b>	Drawn <b>CG</b>	Scale <b>2:1</b>	Directory <b>Leches</b>	File name <b>ST4TubeRing.SKF</b>



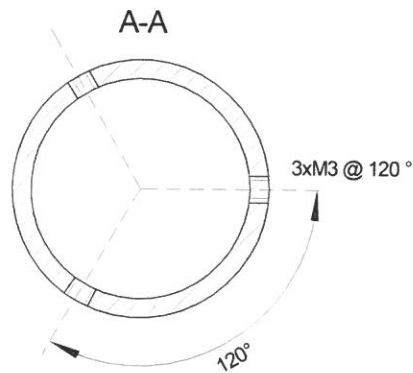
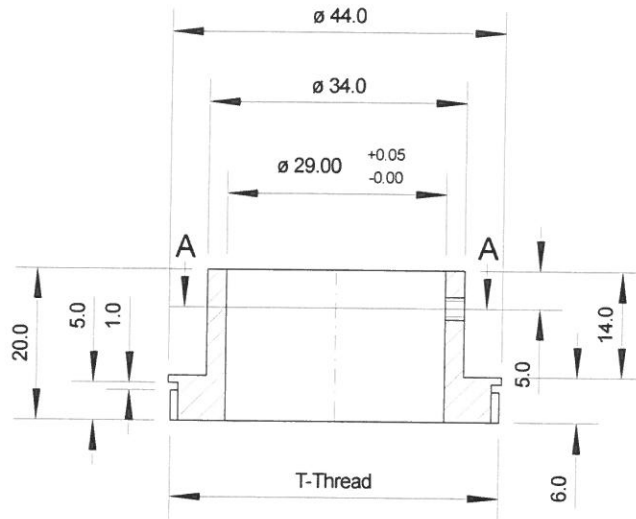
CAOS - Club of Amateurs in Optical Spectroscopy.

Material aluminium	Pieces 1	Naming <b>Collimator Holder</b>	
Surface treatment black anodized		Drawing number <b>Be-0003</b>	Sheets <b>1/1</b>
Date 26.07.2003	Drawn CG	Scale 1:1	Directory <b>BESOS</b>
			File name CollimatorHolder.SKF



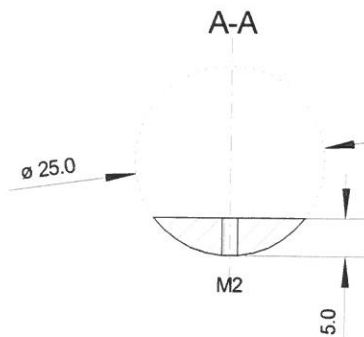
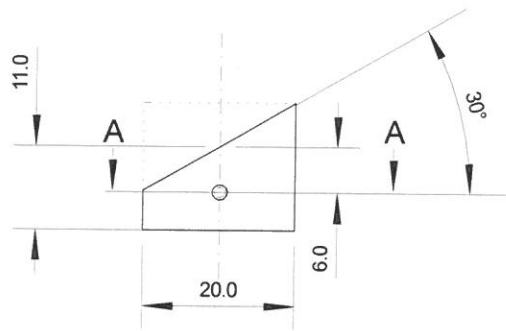
CAOS - Club of Amateurs in Optical Spectroscopy.

Material aluminium	Pieces 1	Naming <b>Objective Holder</b>	
Surface treatment black anodized		Drawing number <b>Be-0004</b>	Sheets <b>1/1</b>
Date 26.07.2003	Drawn CG	Scale 1:1	Directory <b>BESOS</b>
			File name <b>ObjectiveHolder.SKF</b>



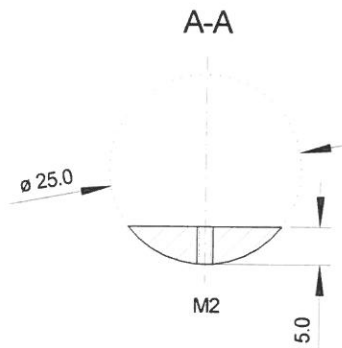
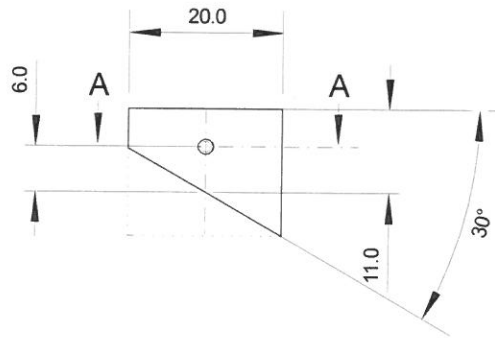
CAOS - Club of Amateurs in Optical Spectroscopy.

Material <b>aluminium</b>		Pieces <b>1</b>	Naming <b>T-Adaptor</b>	
Surface treatment <b>black anodized</b>			Drawing number <b>Be-0005</b>	Sheets <b>1/1</b>
Date <b>26.07.2003</b>	Drawn <b>CG</b>	Scale <b>1:1</b>	Directory <b>BESOS</b>	File name <b>T-Adaptor.SKF</b>



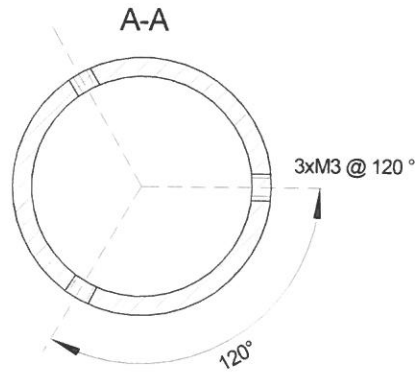
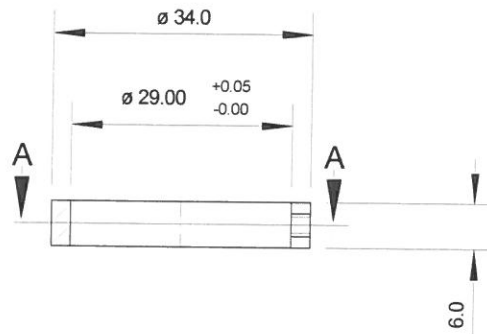
CAOS - Club of Amateurs in Optical Spectroscopy.

Material <b>aluminium</b>		Pieces <b>1</b>	Naming <b>Bed A for prism</b>	
Surface treatment <b>black anodized</b>			Drawing number <b>Be-0001</b>	Sheets <b>1/1</b>
Date <b>24.07.2003</b>	Drawn <b>CG</b>	Scale <b>1:1</b>	Directory <b>BESOS</b>	File name <b>BedA.SKF</b>



CAOS - Club of Amateurs in Optical Spectroscopy.

Material aluminium		Pieces <b>1</b>	Naming <b>Bed B for prism</b>	
Surface treatment black anodized			Drawing number <b>Be-0002</b>	Sheets <b>1/1</b>
Date 24.07.2003	Drawn CG	Scale 1:1	Directory <b>BESOS</b>	File name BedB.SKF

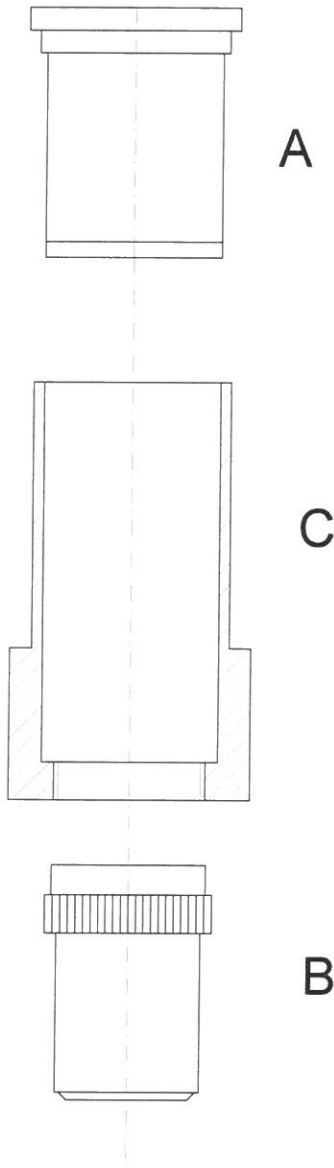


CAOS - Club of Amateurs in Optical Spectroscopy.

Material <b>aluminium</b>		Pieces <b>1</b>	Naming <b>Stop Ring</b>	
Surface treatment <b>black anodized</b>			Drawing number <b>Be-0006</b>	Sheets <b>1/1</b>
Date <b>11.09.2003</b>	Drawn <b>CG</b>	Scale <b>1:1</b>	Directory <b>BESOS</b>	File name <b>StopRing.SKF</b>

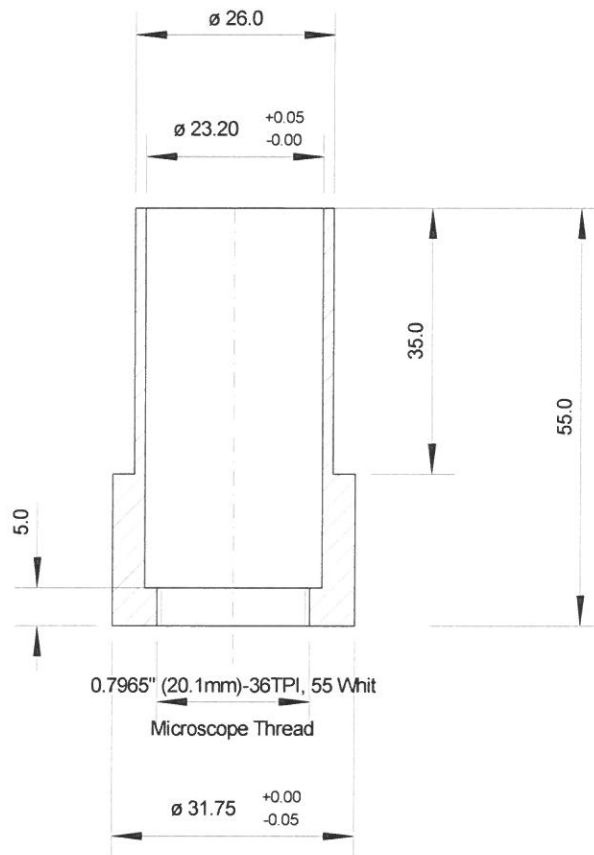
Components

- A - Microscope Eyepice, Power 10x (DIN 45mm)  
F: 25.0mm (Edmund Optics. Model U39-693. Price: 56,16 Eur)
- B - Microscope Objective Achromatic, Power 4x  
F: 31,04 (Edmund Optics. Model U43-902. Price: 48,24 Eur)
- C - Microscope Tube. Be-0006.



CAOS - Club of Amateurs in Optical Spectroscopy.					
Material		Pieces <b>1</b>	Naming <b>Microscope Assembling</b>		
Surface treatment			Drawing number <b>Be-0000</b>		Sheets <b>1/1</b>
Date <b>05.05.2003</b>	Drawn <b>CG</b>	Scale <b>1:1</b>	Directory <b>BESOS</b>	File name <b>MicroscopeAssembling</b>	





CAOS - Club of Amateurs in Optical Spectroscopy.

Material aluminium		Pieces <b>1</b>	Naming <b>Microscope Tube</b>	
Surface treatment black anodized			Drawing number <b>Be-0006</b>	Sheets <b>1/1</b>
Date 12.09.2003	Drawn CG	Scale 1:1	Directory <b>BESOS</b>	File name MicroscopeTube.SKF